

2MP WDR Network Box Camera

IPC542E-DLC-C



Key Features

Optics

- Day/night functionality
- Lowlight surveillance
- 2D/3D DNR (Digital Noise Reduction)
- Up to 120 dB WDR(Wide Dynamic Range)

Compression

- Triple streams
- ROI (Region of Interest)
- 9:16 corridor mode
- Customized OSD

Network

- ONVIF Conformance

Structure

- AC 24V /DC 12 V/PoE power supply
- Wide temperature range: -20°C to 60°C (-4°F to 140°F)
- Wide voltage range of $\pm 10\%$
- 6 KV surge protection designed for network interface

Specifications

	IPC542E-DLC-C
Camera	
Sensor	1/2.8" progressive scan, 2.0 megapixel, CMOS
Shutter	Auto/Manual, 1~1/100000 s
Minimum Illumination	Colour: 0.0005 Lux (F1.2, AGC ON) B/W:0.0001 Lux(F1.2, AGC ON)
Lens Mount	C/CS
Iris	DC-Iris/P-Iris, DC 5V (4 Pins)
Day/Night	IR-cut filter with auto switch (ICR)
Digital noise reduction	2D/3D DNR
S/N	>52dB
Defog	Digital Defog
WDR	120dB
Video	
Video Compression	Ultra 265, H.264, MJPEG
H.264 code profile	Baseline profile, Main Profile, High Profile
Frame Rate	Main Stream:2MP (1920×1080): Max. 30 fps; Sub Stream: 2MP (1920×1080): Max. 30 fps; Third Stream:D1 (720×576): Max. 30 fps
9:16 Corridor Mode	Supported
HLC	Supported
BLC	Supported
OSD	Up to 8 OSDs
Privacy Mask	Up to 8 areas
ROI	Up to 8 areas
Motion Detection	Up to 4 areas
Smart	
Behavior Detection	Intrusion, cross line, motion detection
Exception Detection	Audio detection
Intelligent Identification	Face detection, Defocus, Scene Change, Object Left, Object Moving
Statistical Analysis	People counting
General Function	Watermark, IP Address Filtering, Tampering Alarm, Alarm input, Alarm output, Access Policy, ARP Protection, RTSP Authentication, User Authentication
Audio	
Audio Compression	G.711
Two-way audio	Supported
Suppression	Supported
Sampling Rate	8 KHZ
Storage	
Edge Storage	Micro SD, up to 128 GB
Network Storage	ANR

Network

Protocols	IPv4, IGMP, ICMP, ARP, TCP, UDP, DHCP, PPPoE, RTP, RTSP, RTCP, DNS, DDNS, NTP, FTP, UPnP, HTTP, HTTPS, SMTP, 802.1x, SNMP
Compatible Integration	ONVIF(Profile S, Profile G), API

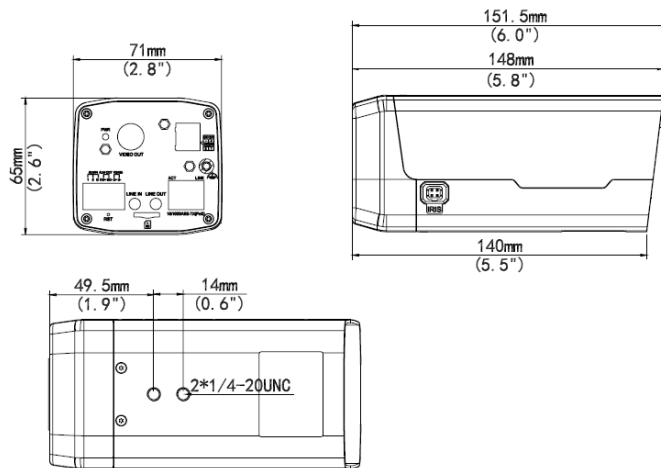
Interface

Audio I/O	3.5 mm audio interface
	Input: impedance 35 kΩ; amplitude 2 V [p-p]
	Output: impedance 600 Ω; amplitude 2 V [p-p]
Alarm I/O	2 / 1
Zoom/focus	N/A
Serial Port	1 RS485 (support Pelco-D/P)
Network	1 RJ45 10M/100M Base-TX Ethernet
Video Output	1 BNC, impedance 75 Ω; amplitude 1 V [p-p]

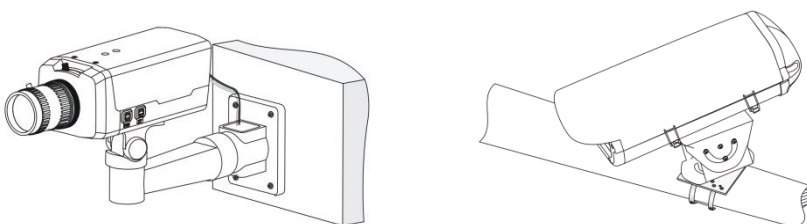
General

Power	24 V AC±10%, 12 V DC±10%, PoE (IEEE802.3 af)
	Power consumption: Max 6.8W
Dimensions (L × W × H)	151.5 x 71 x 65 mm (6.0" x 2.8" x 2.6") (excluding the lens)
Weight	0.48 kg (1.1 lb)
Working Environment	-20°C ~ +60°C (-4°F ~ 140°F), Humidity :10%~90% RH(non-condensing)
Reset Button	Supported

Dimensions



Installation



Bare mount

Housing mount

Zhejiang Uniview Technologies Co., Ltd.

South Tower, Building 10, Wanlun Science Park, 88 Jiangling Road, Hangzhou, P.R.China 310051

Email: overseasbusiness@uniview.com; globalsupport@uniview.com

<http://www.uniview.com>

©2017 Zhejiang Uniview Technologies Co., Ltd. All rights reserved.

*Product specifications and availability are subject to change without notice.